



Avaya Conference Phone B129

Love it or hate it, conference calling is here to stay. Provide your teams with a high-level audio-conferencing device that delivers crystal clear sound to maximize the impact of every conversation—in the office or on the go.

The competitively priced Avaya Conference Phone B129 meets the needs of customers looking for USB and Bluetooth connected conferencing devices that need something bigger and higher capacity than other speaker/conference phones. USB and Bluetooth connectivity make the B129 a completely Open device able to connect to any system, regardless of the type of call control.

With the B129 it is possible to support 12 room participants. This allows the B129 to scale from the Huddle Rooms through to medium conference rooms. The built-in battery makes it easy to move the B129 to where you need it. For units that need to stay fixed in one location a lock-slot is integrated into the unit that uses a standard Kensington type lock.

Each B129 has four sensitive MEMS microphones with Beamforming technology for outstanding audio pickup.

Whether connected to the Avaya Workplace client or Avaya Spaces on a PC or Mac, or to a tablet or smartphone, the B129 is simple, versatile, and affordable. Use it as an audio-conferencing device or combine it with the CU360 to add crystal clear audio to your video conferences.

Specifications

Meeting size

- Up to 12 people, single unit

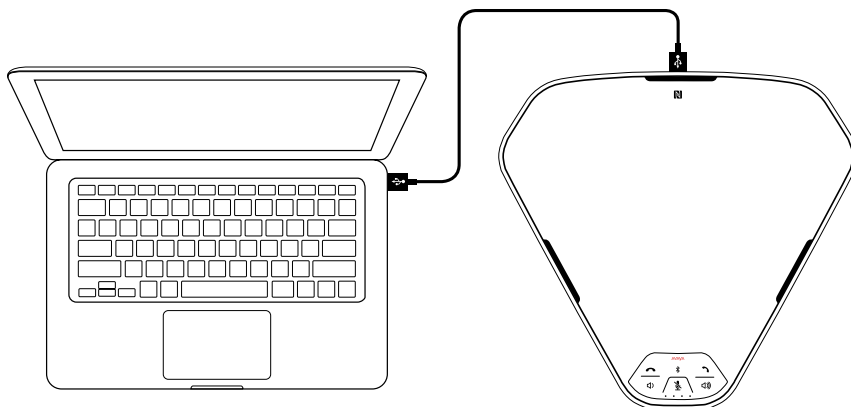
Connectivity

- USB: 2.0 (micro-B to Type A)
- Bluetooth 5.0, Class 1 (HFP/HSP/A2DP)
- NFC for easy pairing

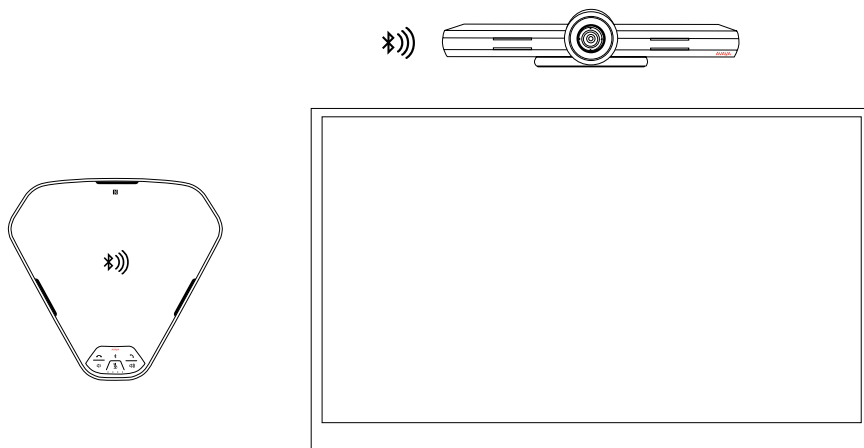
Highlights

- Plug and Play audio conferencing that brings best in class audio experience with next generation of OmniSound® HD.
- With four sensitive MEMS microphone with Beamforming technology, it provides outstanding audio pickup.
- USB/ Bluetooth connectivity ensuring that each conference situation is supported.
- Wireless with built in battery and Bluetooth.
- Compatible with all major collaboration clients including Avaya Workplace and Avaya spaces.
- Supports Bluetooth Class 1 providing twice the connectivity range than Avaya B109.
- Charge the B129 through USB or power adapter.

Use Cases



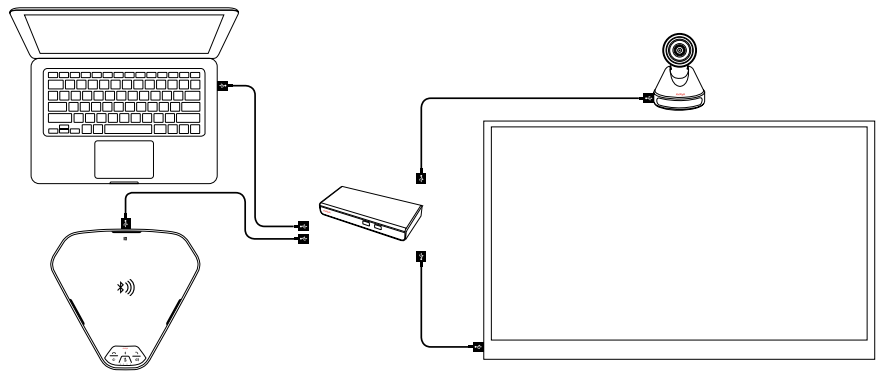
USB connected to Laptop



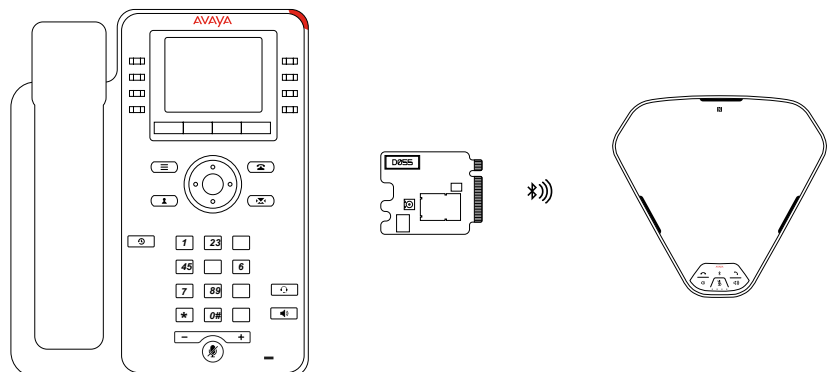
Bluetooth connected to CU-360




Whether connected to the Avaya Workplace client or Avaya Spaces on a PC or Mac, or to a tablet or smartphone, the B129 is simple, versatile, and affordable.



Connected to OCC Hub



J179 with Wireless Module



**Provide
your teams
with a high-
level audio-
conferencing
device that
delivers crystal
clear sound to
maximize the
impact of every
conversation—
in the office or
on the go.**

Audio Specifications

- OmniSound® HD voice
- Speaker:
 - Frequency response: 100Hz to 20,000Hz
 - Volume: 90dB (SPL 0.5m)
- Microphones:
 - 4 MEMS microphones: 100Hz to 7,000Hz
 - Pickup range: 20ft/6m
- Audio expansion: daisy chain connection (future release).
- Full Duplex
- Acoustic Echo Cancellation and Noise Suppression

User Interface

- Touch buttons:
 - Answer call / Power
 - End Call
 - Bluetooth
 - Volume Up / Down
 - Mute
- LED Status Indicators
 - Power status
 - Call status
 - Bluetooth status
 - Battery status
- Upgradable Software
- Upgradable Software

Power Options

- Integrated Lithium Polymer Battery
 - Call time up to 14 hours

- Stand by time up to 18 hours
- Charging time to full charge:
- 3 hours using power adapter
- 15.5 hours using 0.5A USB connection
- External power supply:
 - 5VDC/3A @ 100-240VAC, 50/60Hz
- Powered by USB

Dimensions

- Device : Width 278 mm, Depth 250 mm, Height 59 mm
- Device with Carton: Width 355 mm, Depth 294 mm, Height 72 mm

Weight

- 700 g

Color

- Black

Environmental

- Temperature range: 5°- 40°C
- Relative humidity: 20 – 80% condensation-free

Languages

- English, French, German, Spanish, Italian, Brazilian Portuguese, Russian, Simplified Chinese, Japanese, Korean, Swedish

Box Contents

- Avaya B129 Conference Phone
- Power Supply (includes global attachment clips)
- USB cable (USB 2.0 Type A-micro B, 1.5m)
- Quick Reference Guide
- Important Notice Document

Warranty

- One Year



About Avaya

Businesses are built by the experiences they provide, and every day millions of those experiences are delivered by Avaya Holdings Corp. (NYSE: AVYA). Avaya is shaping what's next for the future of work, with innovation and partnerships that deliver game-changing business benefits. Our cloud communications solutions and multi-cloud application ecosystem power personalized, intelligent, and effortless customer and employee experiences to help achieve strategic ambitions and desired outcomes. Together, we are committed to help grow your business by delivering Experiences that Matter. Learn more at www.avaya.com.