

## P10/P10P/P10G

### High Performance Entry-level IP Phone

Flyingvoice P10/P10P/P10G is a high-performance communication device for small business users. Equipped with a 132x64-pixel graphical LCD with an adjustable backlight, it provides users with a clear visual experience. The P10/P10P/P10G supports 2 SIP accounts, P10/P10P integrated 100M dual Ethernet ports, the P10G integrates gigabit dual Ethernet ports, and PoE (P10P/G only) for easy network connection. And it supports HD voice technologies including wideband codec G.722 and opus for high-quality calls. In addition, it is easy to set up at 60 and 45 angles on a desk or 15-angle mount on the wall, meeting different application scenarios.



#### All-new Design, Practical details

P1X Series IP adopts a new intuitive interface design and a 132x64-pixel graphical LCD with an adjustable backlight, which makes you capture information more easily even in low-light environments.

#### HD Voice Quality, Better Calling Experience

Featuring HD voice technologies Wideband Codec G.722 and Opus, the P10/P10P/P10G delivers excellent sound quality and allows fluent conversations.

#### Online Management Platforms, Easy Deployment

P1X Series IP phones support simple-to-deploy and easy-to-manage by Flyingvoice's online platforms such as FACS and FRPS and auto-provisioning modes TFTP/HTTP/HTTPS, making mass deployment and maintenance extremely easy.

#### High Security, Strong Compatibility

P1X Series IP phones are well protected by configuration files with AES, SRTP and TLS call encryption, etc. They are widely compatible with SIP based devices and PBX platforms such as Broadsoft, Metaswitch and Yeastar, etc.

- 2.3" 132x64-pixel graphical LCD with an adjustable backlight
- Dual Gigabit Ethernet ports(P10G only)
- 6-Way audio conference
- 2 SIP accounts
- HD voice
- Support RJ9 headset
- Support PoE (P10P/G only)
- Wall mountable
- Stand with 2 adjustable angles
- Opus

## Model differentiation

Model	P10	P10P	P10G
PoE	Not support	Support	Support
Internet	2*10/100Mbps	2*10/100Mbps	2*10/100/1000Mbps

## Phone Features

LCD Screen	> 2.3" 132x64-pixel graphical LCD with an adjustable backlight > 16-bit depth color
Function Keys	> 7 Function keys: message, headset, transfer, mute, redial, hands-free speakerphone, record > 4 Soft keys, 4 navigate keys, volume+/-
SIP Accounts	> 2 SIP accounts
Wi-Fi	> No support
USB Port	> No support
Ethernet Ports	> 2*10/100M (P10/P) > 2*10/100/1000M (P10G) > Support PoE (except P10)
Other Ports	> 1 x RJ9 handset port, 1 x RJ9 headset port
Multiple Language	> 12 Language (including Spanish/English)

## Call Features

Basic Function	> Call hold, mute, DND, redial, auto answer, one-touch speed dial, hotline, SMS, call forward, call waiting, call transfer (attended/blind), Paging, voice mail, anonymous call, anonymous call rejection, message waiting indicator (MWI), 6-way meeting, call registry, flexible dial plan, customized dial tones, server redundancy, automatic switchover
Direct IP Call	> Support
Phonebook	> 2000 records; phonebook search/import/export; XML/LDAP remote phonebook; black list
Call History	> 60 records; call history: all/missed/dialed/received
6-Way Audio Conference	> Support

## Audio Features

HD Voice	> HD handset, HD speaker
Audio Codec	> G.722, Opus, AMR-WB(Optional), G.711WB(Optional), G.711(A/u), iLBC, G.729A/B, G.723, G.726, AMR-NB(Optional)
DTMF	> In-band, RFC 2833, SIP info
Other Features	> Automatic Noise Suppression, AEC, VAD, CNG, PLC, AGC, AJB

## Network and Safety

SIP Related Features	> SIP v1 (RFC2543), v2 (RFC3261), NAT Traversal by STUN > SIP link mode: Proxy mode and peer-to-peer SIP link mode > Call server redundancy supported
----------------------	---

Network Features	<ul style="list-style-type: none"> <li>&gt; Static IP and DHCP, IPv4 /IPv6, Dual stack IPv4/IPv6, ARP/RARP, DNS A/DNS SRV/DNS NAPTR</li> <li>&gt; LLDP/GDP/DHCP VLAN; IEEE802.1X; OpenVPN; DSCP, 802.1p QoS; SSL</li> <li>&gt; Time and Date Synchronization: SNTP, PBX, DHCP</li> <li>&gt; Transport: UDP/TCP/TLS; RTP/RTCP/SRTP</li> <li>&gt; QoS: Layer 3 (ToS、 DiffServ)</li> </ul>
------------------	---

### Configuration & Maintenance

Auto-provision	<ul style="list-style-type: none"> <li>&gt; TR069 (TR104/TR106)</li> <li>&gt; FTP/TFTP/HTTP/HTTPS for Auto Provisioning</li> <li>&gt; Cloud device management: FACS</li> <li>&gt; Cloud device management: FRPS</li> <li>&gt; DHCP Option66</li> </ul>
----------------	--

Configuration	<ul style="list-style-type: none"> <li>&gt; Supports web configuration, editable configuration file</li> <li>&gt; Factory reset, reboot, telnet</li> <li>&gt; Packet capture, system log</li> <li>&gt; Time and date synchronization using SNTP</li> <li>&gt; 2-level password</li> </ul>
---------------	---

### Others

Physical Features	<ul style="list-style-type: none"> <li>&gt; New stand, wall mountable</li> <li>&gt; AC/DC adapter, AC input: 100~240V, 50~60Hz</li> <li>&gt; DC Output: 5V, 0.6A</li> <li>&gt; Power consumption (PSU): 0.87~1.18W</li> <li>&gt; Power consumption (PoE): 0.72~1.78W</li> <li>&gt; Relative humidity: 10%~90% (No Condensing)</li> <li>- Storage temperature: -25~ 65°C</li> <li>- Operation temperature:0~45°C</li> <li>&gt; Dimension (W x D x H): 200mm × 165mm × 47mm</li> </ul>
-------------------	--

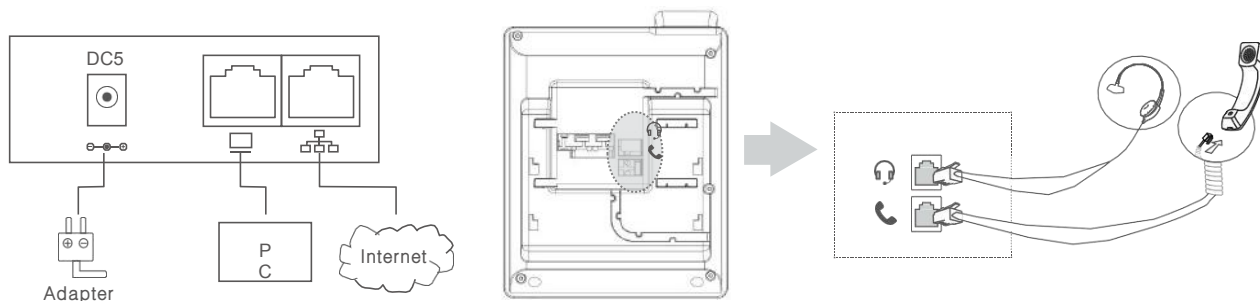
### Package Content

Details	<p>Packing List:</p> <ul style="list-style-type: none"> <li>&gt; Flyingvoice P10/P10P/P10G IP phone, power adapter (P10P/G optional)</li> <li>&gt; Handset with handset cord, Ethernet cable, stand</li> <li>&gt; Quick Start Guide</li> </ul> <p>Size:</p> <ul style="list-style-type: none"> <li>&gt; Qty/CTN: 10 PCS, N.W/CTN: 7.5 kg, G.W/CTN: 9.47 kg</li> <li>&gt; Giftbox size: 288mm × 217mm × 60mm</li> <li>&gt; Carton size: 448mm × 320mm × 302mm</li> </ul>
---------	---

### Certification & Compatibility

Certificated by	
-----------------	---

Compatible with	
-----------------	---



## About Flyingvoice

Flyingvoice is a leading manufacturer of VoIP phones, VoIP adapters and VoIP routers, which are widely used throughout the world and highly praised by international carriers, ITSP, ISP and company users.

Driven by ongoing innovation of VoWLAN, Flyingvoice is committed to making easier VoIP products by enabling the enterprise network and united communication. Our people are continuously improving our products and expanding product applications tailored to client's requirements, which make you collaborate securely, effectively and efficiently – anytime & anywhere.

## Copyright

Copyright © Flyingvoice Network Technology Co., Ltd. All rights reserved. No parts of this publication may be reproduced or transmitted in any form or by any means, electronic or mechanical, photocopying, recording, or otherwise, for any purpose, without the express written permission of Flyingvoice Network Technology Co., Ltd.

## Technical Support

Visit [www.flyingvoice.com](http://www.flyingvoice.com) for product documents and FAQ, or contact Flyingvoice by email at [support@flyingvoice.com](mailto:support@flyingvoice.com). We'll get you the help you need.



Flyingvoice Network Technology Co., Ltd. Website:

Web: [www.flyingvoice.com](http://www.flyingvoice.com)

Add: 1801-1802, Building 1, Chongwen Park, Nanshan Zhiyuan, Nanshan District, Shenzhen, China

Copyright© Flyingvoice Network Technology Co., Ltd. All Rights Reserved